

- Note:
1. CB1 = MAINS INPUT MCB 2P WITH AUX
 2. CB2 = BYPASS INPUT MCB 2P WITH AUX
 3. CB3 = BATTERY MCB 2P WITH AUX
 4. CB4-CB7 = INVERTER I/P MCB 2P WITH AUX
 5. CB8 = OUTPUT MCB 2P WITH AUX
 6. SPD = AC I/P SURGE ARRESTOR
 7. SH1 = DC SHUNT (BATTERY)
 8. F1 = HRC FUSE 2A
 9. X1-X4 = TERMINAL BLOCKS
 10. MBS = MANUAL BYPASS SWITCH (BREAK BEFORE MAKE)
 11. RECTIFIER = 1200W OUTPUT PER MODULE CAPACITY DERATED @120VAC
 12. CALCULATIONS BASED ON: 0.8PF LOAD

ALARM CONFIGURATION

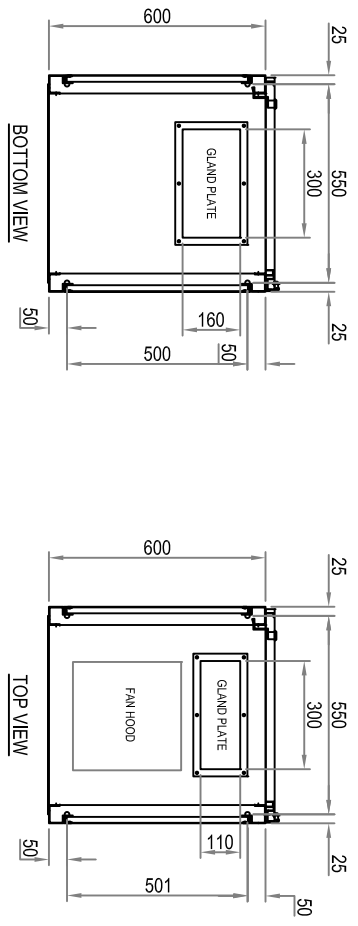
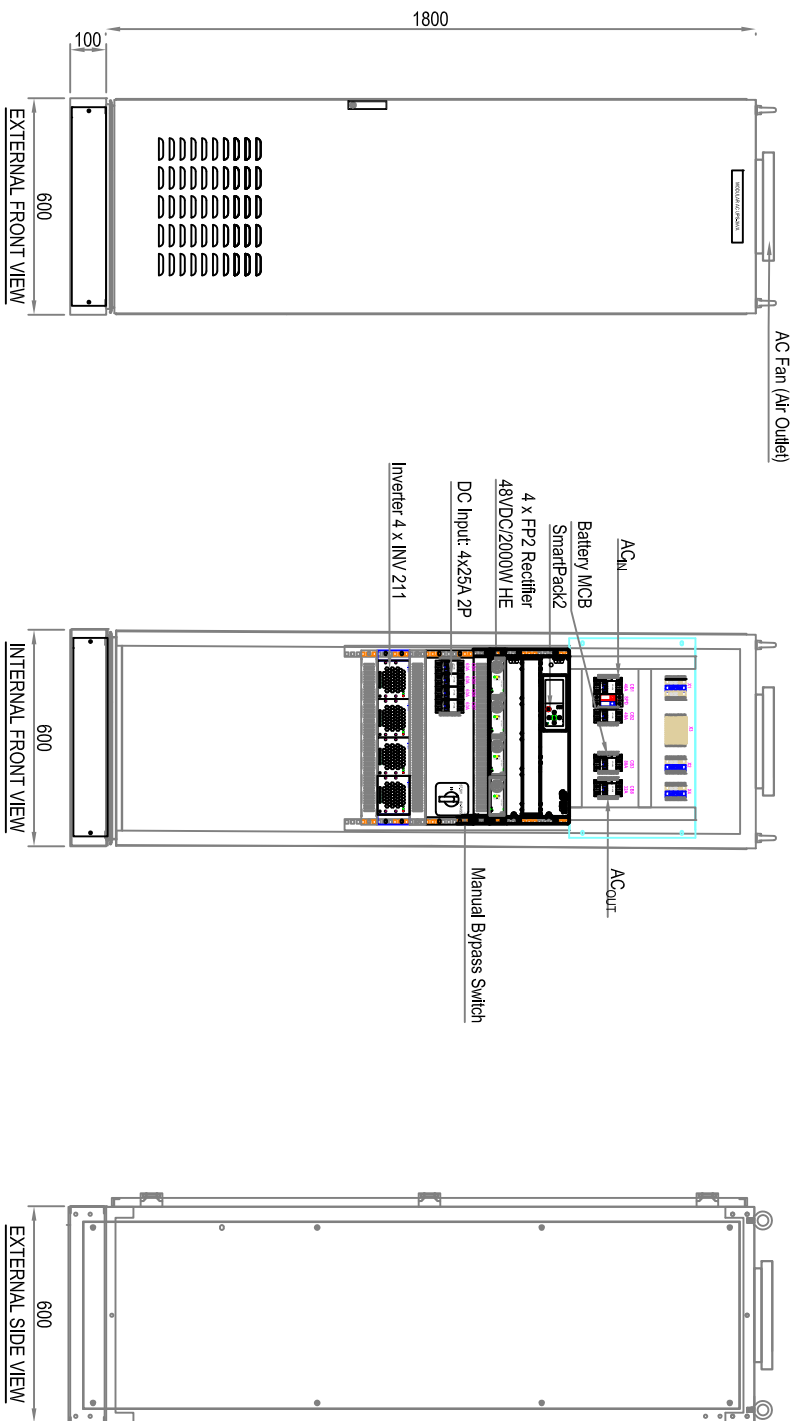
1. AC MAINS FAIL ALARM
2. CHARGER FAIL ALARM
3. HIGH/LOW BATT. VOLT ALARM
4. INVERTER FAIL ALARM
5. DC EARTH FAULT
6. COMMON ALARM

REV	DESCRIPTION	DATE	DRAWN	CHECKED	APPROVED
1	FOR CUSTOMER APPROVAL	10-09-2015	YP	KU	KU
2	FOR CUSTOMER APPROVAL	15-09-2015	YP	KU	KU
3	FOR CUSTOMER APPROVAL	12-10-2015	YP	KU	KU
4	FOR CUSTOMER APPROVAL	08-11-2015	YP	KU	KU
5	-	-	-	-	-

REVISION HISTORY

CLIENT: ARTC	DESIGNED: YP	DRAWN: YP
APPROVED: KU	DATE: 09/11/2015	
DESCRIPTION: SINGLE LINE DIAGRAM OF AC UPS		
AC UPS - 3KVA		
I/P 120VAC 50HZ - O/P 120VAC 50HZ		
DRAWING NO.: IR15052	SLD	3KVA 120VAC IN-OUP
PART NO. A141082.000	REVISION: 4	PAGE: 1 of 2

ETEK
 Copyright ETEK All Rights Reserved
ETEK POWER PTE LTD
 NO.3 TERANG GARDENS CRESCENT SINGAPORE - 089920
 TEL: 6773 2286 FAX: 6775 3002
 MATERIAL: N/A FINISHING: N/A THICKNESS: N/A
 SCALE: NTS FORMAT: A3 UNIT: mm PROJECTION:

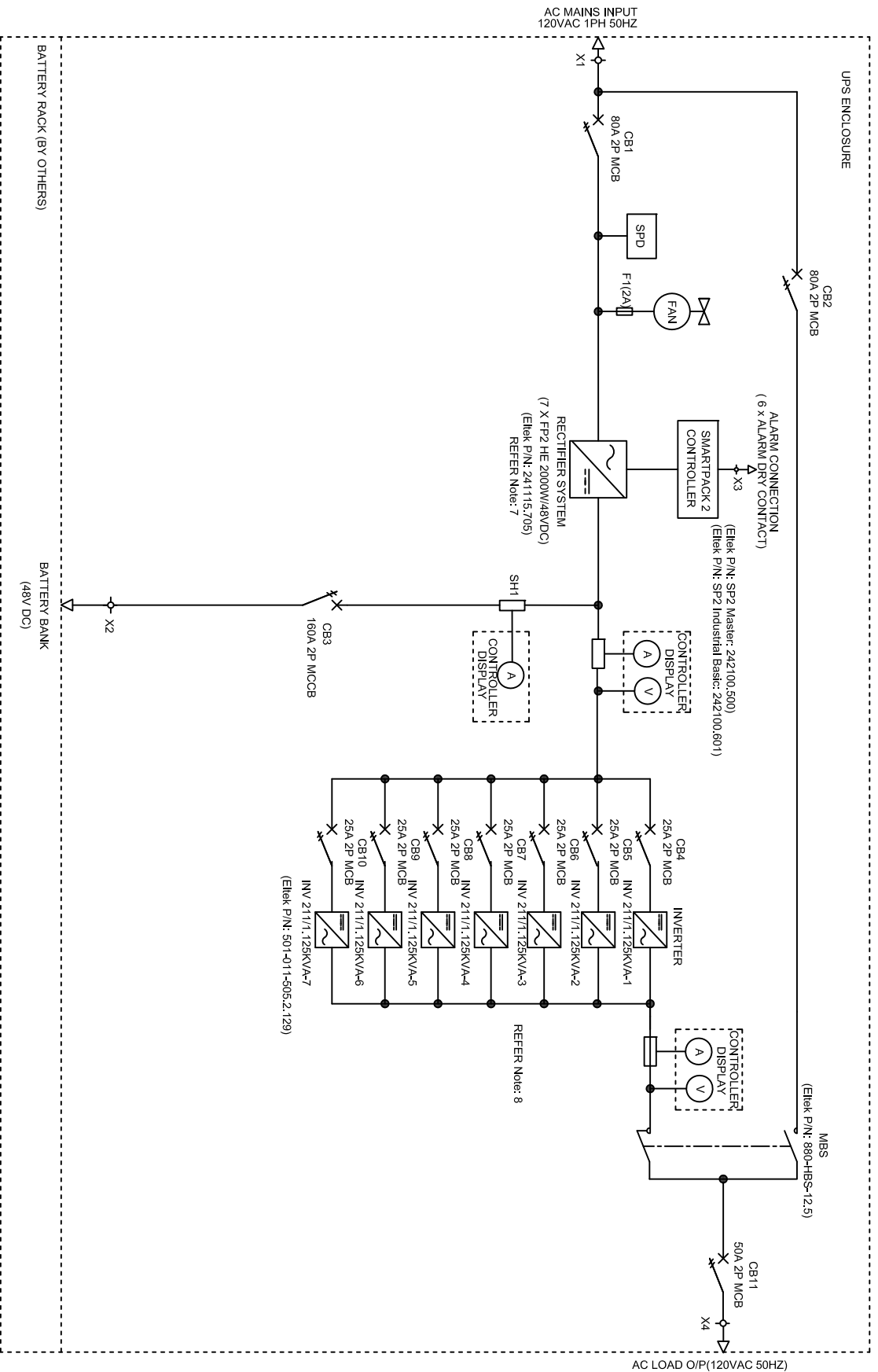


- Note:
1. Cabinet Front Access
 2. 120° Door Opening (Approx)
 3. Ventilation = Front
 4. Type/Protection = Indoor/IP31
 5. Cable Entry = TOP
 6. Name Plate = Engraving
 7. Mounting Hole Dimm. = Ø12mm
 8. Finishing =RAL 7035
 9. Internal GA is subject to change

REV	DESCRIPTION	DATE	DRAWN	CHECKED	APPROVED
1	FOR CUSTOMER APPROVAL	10-09-2015	YP	KU	KU
2	FOR CUSTOMER APPROVAL	15-09-2015	YP	KU	KU
3	FOR CUSTOMER APPROVAL	12-10-2015	YP	KU	KU
4	FOR CUSTOMER APPROVAL	08-11-2015	YP	KU	KU
5					

REVISION HISTORY

CLIENT ARTC	DESIGNED: YP	DRAWN: YP
APPROVED: KU	DATE: 09/11/2015	
DESCRIPTION General Arrangement Of AC UPS - 3kVA I/P 120VAC 50HZ - O/P 120VAC 50HZ		
DRAWING NO. IR5052 GA 3kVA 120VAC IN-OUT	PART NO. A141082.000	
<p>Copyright ETEK All Rights Reserved ETEK POWER PTE LTD NO.3 TERBANI GARDENS CRESCENT SINGAPORE - 0698920 TEL: 6773 2226 FAX: 6775 3002</p>		
MATERIAL: N/A	FINISHING: RAL7035	THICKNESS: 1.5
SCALE: NTS	FORMAT: A3	UNIT: mm
PROJECTION: 1st Angle	REVISION: 4	PAGE: 2 of 2



Note:

1. CB1 = MAINS INPUT MCB 2P WITH AUX
2. CB2 = BYPASS INPUT MCB 2P WITH AUX
3. CB3 = BATTERY MCB 2P WITH AUX
4. CB4-CB10 = INVERTER I/P MCB 2P WITH AUX
5. CB11 = OUTPUT MCB 2P WITH AUX
6. SPD = AC I/P SURGE ARRESTOR
7. SH1 = DC SHUNT (BATTERY)
8. F1 = HRC FUSE 2A
9. X1-X4 = TERMINAL BLOCKS
10. MBS = MANUAL BYPASS SWITCH (BREAK BEFORE MAKE)
11. RECIFIER = 1200W OUTPUT PER MODULE CAPACITY DERATED @120VAC
12. INVERTERS = 1kVA PER MODULE CAPACITY DERATED WHEN MORE THAN 4 MODULES ARE USED IN PARALLEL ARRANGEMENT
13. CALCULATIONS BASED ON: 0.8PF LOAD

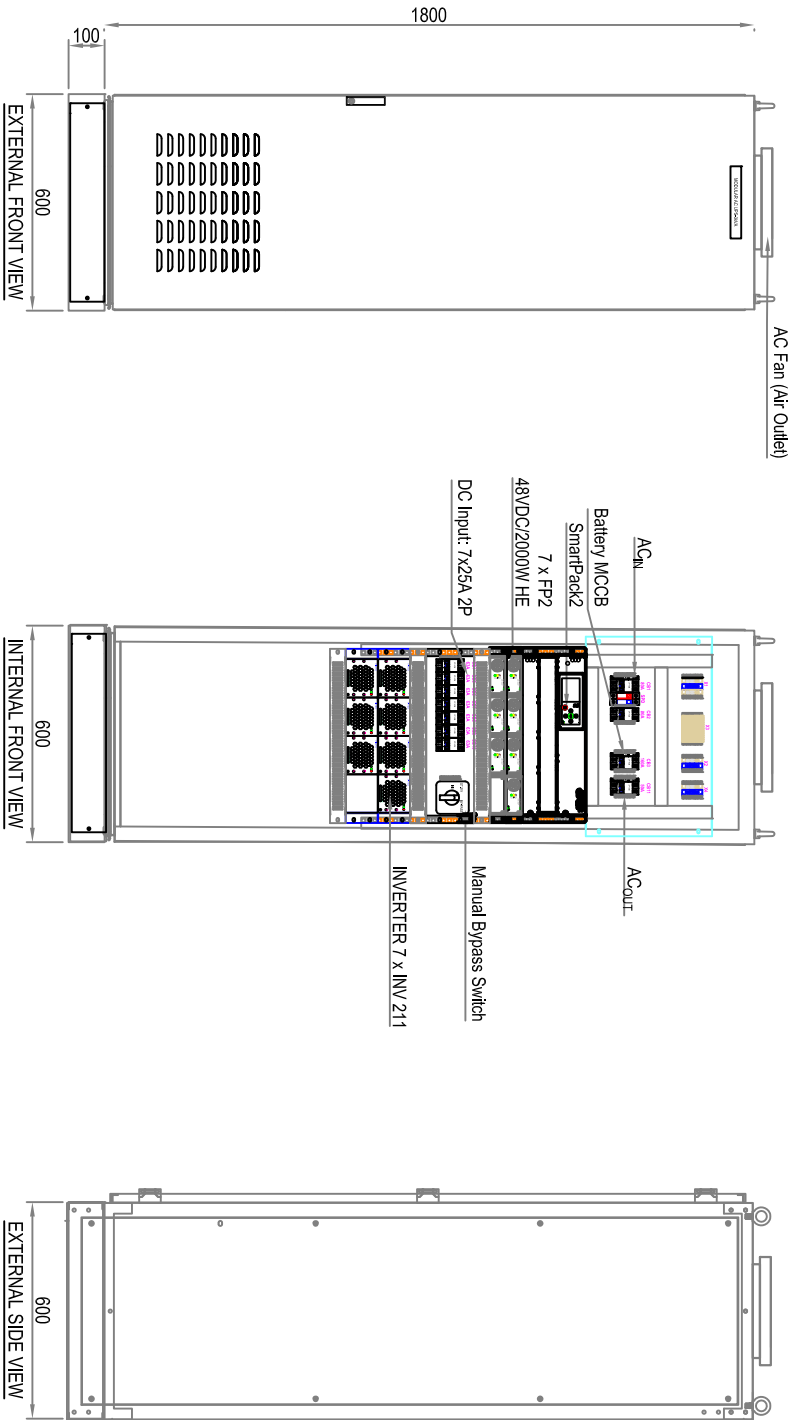
ALARM CONFIGURATION

1. AC MAINS FAIL ALARM
2. CHARGER FAIL ALARM
3. HIGH/LOW BATT. VOLT ALARM
4. INVERTER FAIL ALARM
5. DC EARTH FAULT
6. COMMON ALARM

REV	DESCRIPTION	DATE	DRAWN	CHECKED	APPROVED
1	FOR CUSTOMER APPROVAL	11-09-2015	YP	-	-
2	FOR CUSTOMER APPROVAL	15-09-2015	YP	-	-
3	FOR CUSTOMER APPROVAL	12-10-2015	YP	KU	KU
4	FOR CUSTOMER APPROVAL	09-11-2015	YP	KU	KU
5	-	-	-	-	-

REVISION HISTORY

CLIENT ARTC	DESIGNED: YP	DRAWN: YP
DESCRIPTION SINGLE LINE DIAGRAM OF AC UPS	APPROVED: KU	DATE: 09/11/2015
DRAWING NO. IR15052 SLD 6KVA 120VAC IN-OUT	ELTEK POWER PTE LTD NO.3 TEBAN GARDENS CRESCENT SINGAPORE - 008920 TEL: 6773 2326 FAX: 6775 3002	
PART NO. A141083.000	SCALE NTS	UNIT mm
PROJECT PROJECTION	REVISION 4	PAGE 1 of 2



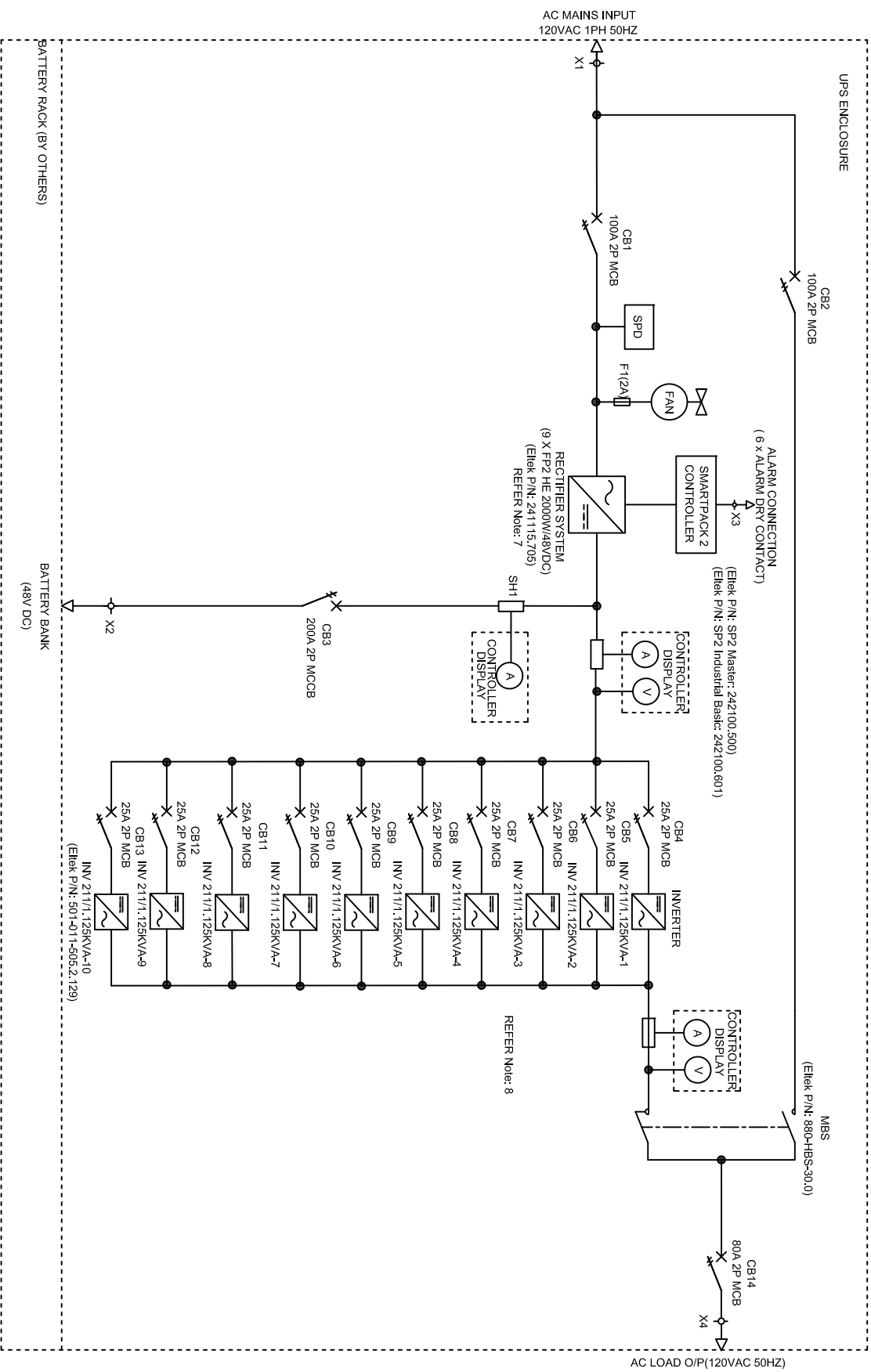
- Note:
1. Cabinet Front Access
 2. 120° Door Opening (Approx)
 3. Ventilation = Front
 4. Type/Protection = Indoor/IP31
 5. Cable Entry = TOP
 6. Name Plate = Engraving
 7. Mounting Hole Dimm. = Ø12mm
 8. Finishing =RAL 7035
 9. Internal GA is subject to change

REV	DESCRIPTION	DATE	DRAWN	CHECKED	APPROVED
1	FOR CUSTOMER APPROVAL	11-09-2015	YP	-	-
2	FOR CUSTOMER APPROVAL	15-09-2015	YP	-	-
3	FOR CUSTOMER APPROVAL	12-10-2015	YP	KU	KU
4	FOR CUSTOMER APPROVAL	09-11-2015	YP	KU	KU
5					

REVISION HISTORY

CLIENT	ARTC	DESIGNED:	YP	DRAWN:	YP
		APPROVED:	KU	DATE:	09/11/2015
DESCRIPTION		General Arrangement of AC UPS - 6kVA			
DRAWING NO.		IR15052 GA 6kVA 120VAC IN-OUT			
PART NO.		A141083.000			
MATERIAL		N/A			
FINISHING		RAL7035			
SCALE		NTS			
FORMAT		A3			
UNIT		mm			
PROJECTION		1st Angle			
THICKNESS		1.5			

Copyright ETEK All Rights Reserved
ETEK POWER PTE LTD
 NO.3 TERBANI GARDENS CRESCENT SINGAPORE - 069920
 TEL: 6773 2286 FAX: 6773 5002

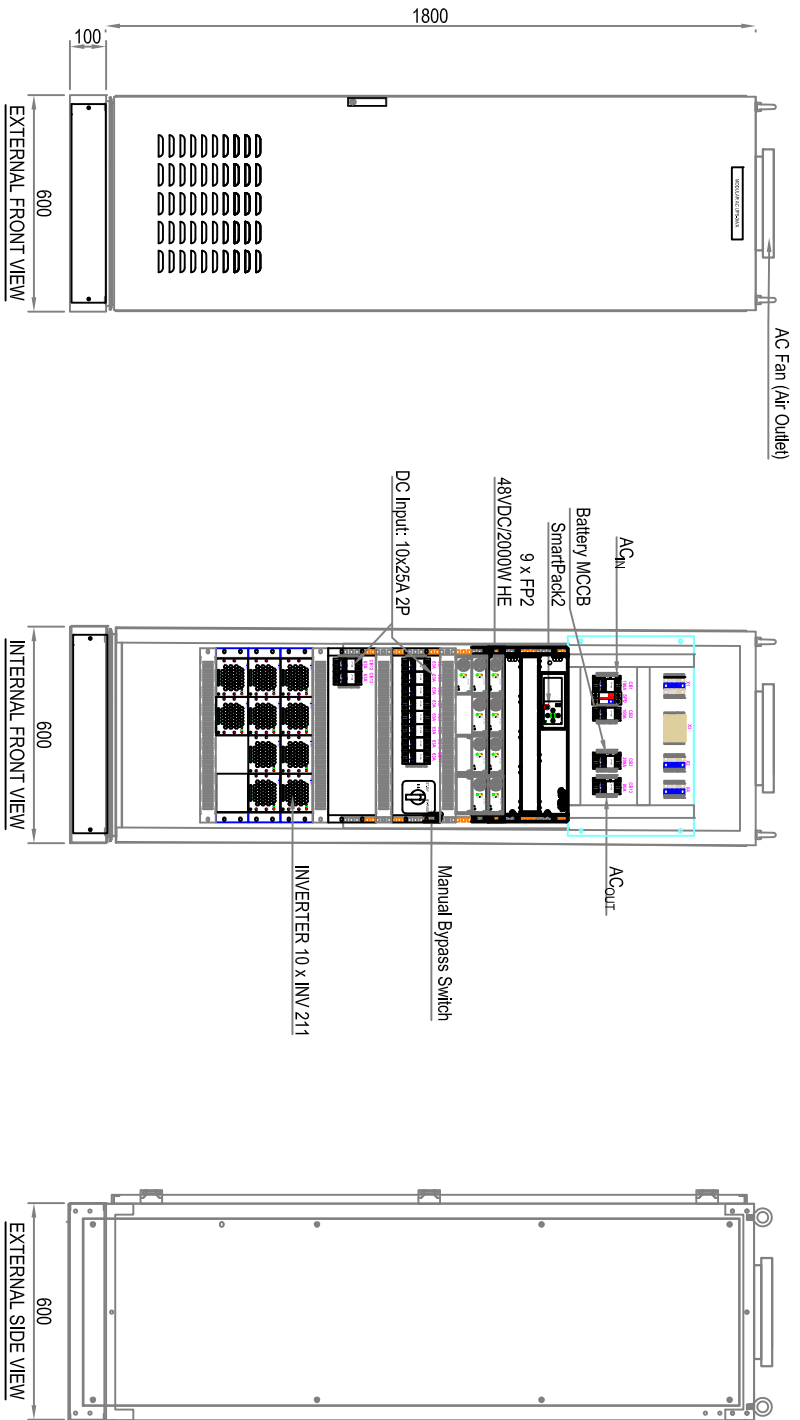


REV	DESCRIPTION	DATE	DRAWN	CHECKED	APPROVED
1	FOR CUSTOMER APPROVAL	11-09-2015	YP	-	-
2	FOR CUSTOMER APPROVAL	15-09-2015	YP	-	-
3	FOR CUSTOMER APPROVAL	12-10-2015	YP	-	-
4	FOR CUSTOMER APPROVAL	09-11-2015	YP	KU	KU
5	-	-	-	-	-

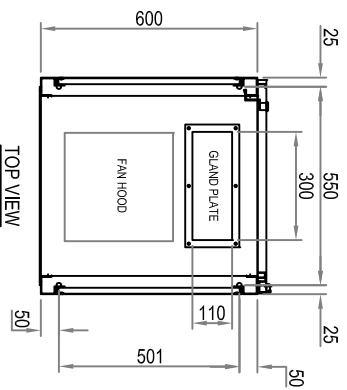
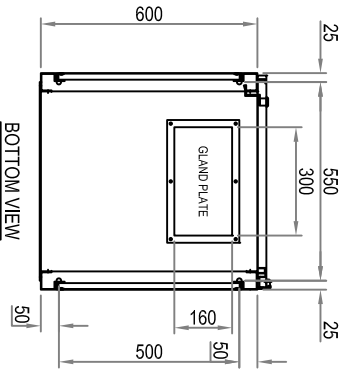
REVISION HISTORY

CLIENT ARTC	DESIGNED: YP	DRAWN: YP
APPROVED: KU	DATE: 09/11/2015	
DESCRIPTION SINGLE LINE DIAGRAM OF AC UPS		
AC UPS - 9KVA		
I/P 120VAC 50HZ - O/P 120VAC 50HZ		
DRAWING NO. IR15052 SLD 9KVA 120VAC IN-OUT	PART NO. A141084.000	
<p>Copyright ETEK All Rights Reserved ETEK POWER PTE LTD NO.3 TERAN GARDENS CRESCENT SINGAPORE - 009920 TEL: 6773 2286 FAX: 6775 9002 THICKNESS: N/A</p>		
SCALE NTS	FORMAT A3	UNIT mm
PROJECTION	REVISION 4	PAGE 1 of 2

- Note:
1. CB1 = MAINS INPUT MCB 2P WITH AUX
 2. CB2 = BYPASS INPUT MCB 2P WITH AUX
 3. CB3 = BATTERY MCB 2P WITH AUX
 4. CB4-CB13 = INVERTER I/P MCB 2P WITH AUX
 5. CB14 = OUTPUT MCB 2P WITH AUX
2. SPD = AC I/P SURGE ARRESTOR
 3. SH1 = DC SHUNT (BATTERY)
 4. F1 = HRC FUSE 2A
 5. X1-X4 = TERMINAL BLOCKS
 6. MBS = MANUAL BYPASS SWITCH (BREAK BEFORE MAKE)
 7. RECTIFIER = 1200W OUTPUT PER MODULE CAPACITY DERATED @120VAC
 8. INVERTERS = 1KVA PER MODULE CAPACITY DERATED WHEN MORE THAN 4 MODULES ARE USED IN PARALLEL ARRANGEMENT
 9. CALCULATIONS BASED ON: 0.8PF LOAD
- ALARM CONFIGURATION
1. AC MAINS FAIL ALARM
 2. CHARGER FAIL ALARM
 3. HIGH/LOW BATT. VOLT ALARM
 4. INVERTER FAIL ALARM
 5. DC EARTH FAULT
 6. COMMON ALARM



- Note:
1. Cabinet Front Access
 2. 120° Door Opening (Approx)
 3. Ventilation = Front
 4. Type/Protection = Indoor/IP31
 5. Cable Entry = TOP
 6. Name Plate = Engraving
 7. Mounting Hole Dimm. = $\varnothing 12\text{mm}$
 8. Finishing =RAL 7035
 9. Internal GA is subject to change.



REVISION HISTORY

REV	DESCRIPTION	DATE	DRAWN	CHECKED	APPROVED
1	FOR CUSTOMER APPROVAL	11-09-2015	YP	-	-
2	FOR CUSTOMER APPROVAL	15-09-2015	YP	-	-
3	FOR CUSTOMER APPROVAL	12-10-2015	YP	KU	KU
4	FOR CUSTOMER APPROVAL	08-11-2015	YP	KU	KU
5	-	-	-	-	-

CLIENT	ARTC	DESIGNED	DRAWN
ARTC		YP	YP
		APPROVED:	DATE:
		KU	09/11/2015

DESCRIPTION	PART NO.
General Arrangement of AC UPS - 9kVA I/P 120VAC 50HZ - O/P 120VAC 50HZ	AI41084.000

Copyright ETEK All Rights Reserved

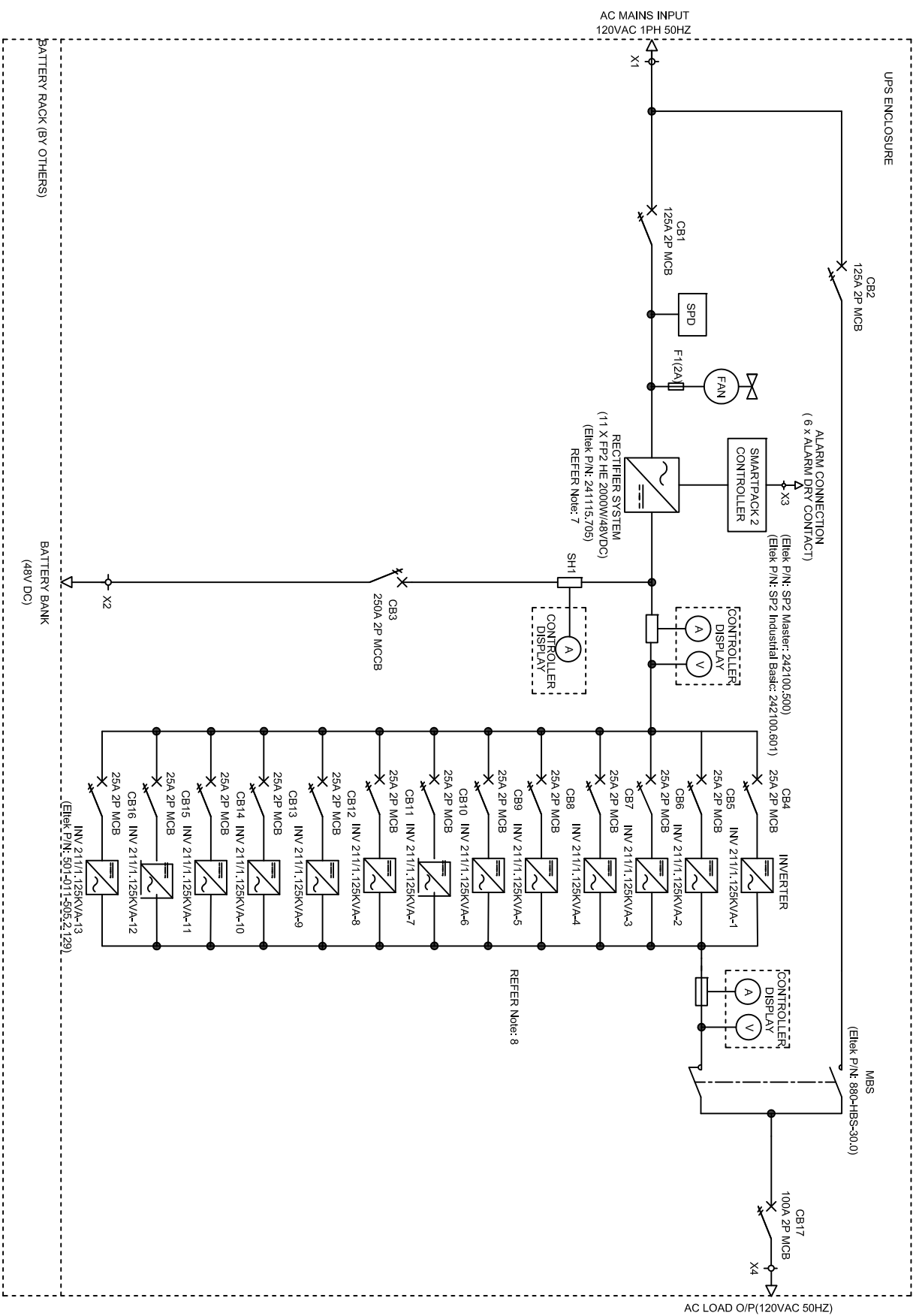
ETEK POWER PTE LTD

NO.3 TERBANI GARDENS CRESCENT, SINGAPORE - 008920

MATERIAL: N/A
FINISHING: RAL7035
THICKNESS: 1.5

SCALE: NTS
FORMAT: A3
UNIT: mm
PROJECTION: 1st Angle

REVISION	UNIT	PROJECTION
4	mm	1st Angle



Note:

1. CB1 = MAINS INPUT MCB 2P WITH AUX
- CB2 = BYPASS INPUT MCB 2P WITH AUX
- CB3 = BATTERY MCB 2P WITH AUX
- CB4-CB16 = INVERTER I/P MCB 2P WITH AUX
- CB17 = OUTPUT MCB 2P WITH AUX

2. SPD = AC I/P SURGE ARRESTOR
3. SH1 = DC SHUNT (BATTERY)

4. F1 = HRC FUSE 2A
5. X1-X4 = TERMINAL BLOCKS

6. MBS = MANUAL BYPASS SWITCH (BREAK BEFORE MAKE)

7. RECTIFIER = 1200W OUTPUT PER MODULE CAPACITY DERATED @120VAC

8. INVERTERS = 1kVA PER MODULE CAPACITY DERATED WHEN MORE THAN 4 MODULES ARE USED IN PARALLEL ARRANGEMENT

9. CALCULATIONS BASED ON: 0.8PF LOAD

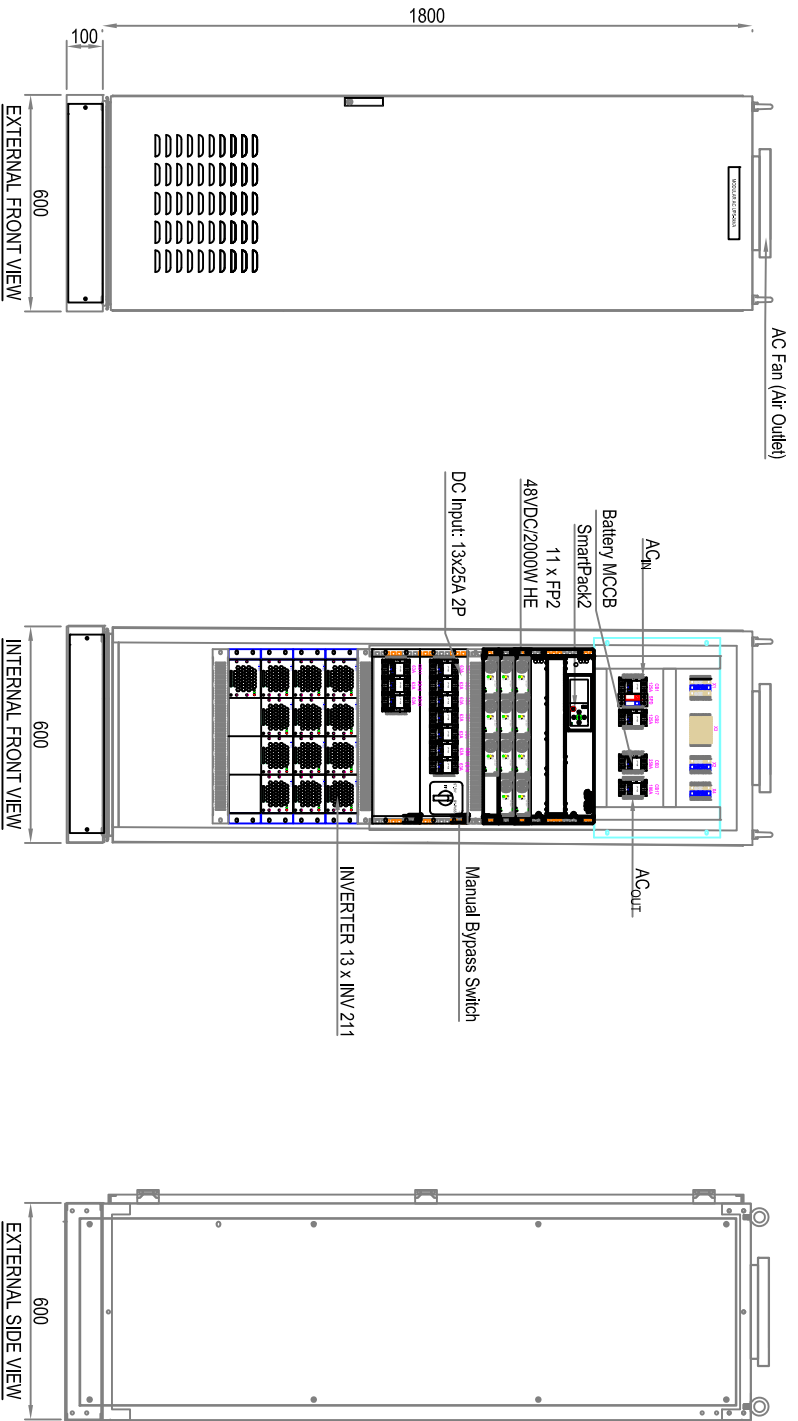
ALARM CONFIGURATION

1. AC MAINS FAIL ALARM
2. CHARGER FAIL ALARM
3. HIGH/LOW BATT. VOLT ALARM
4. INVERTER FAIL ALARM
5. DC EARTH FAULT
6. COMMON ALARM

REV	DESCRIPTION	DATE	DRAWN	CHECKED	APPROVED
1	FOR CUSTOMER APPROVAL	11-09-2015	YP	-	-
2	FOR CUSTOMER APPROVAL	15-09-2015	YP	-	-
3	FOR CUSTOMER APPROVAL	12-10-2015	YP	KU	KU
4	FOR CUSTOMER APPROVAL	09-11-2015	YP	KU	KU
5	-	-	-	-	-

CLIENT	ARTC	DESIGNED	Y.P.	DRAWN	Y.P.
DESCRIPTION	SINGLE LINE DIAGRAM OF AC UPS	APPROVED	KU	DATE	09/11/2015
MATERIAL	N/A				
FINISHING	N/A	ETEK POWER PTE LTD NO.3 TERAN GARDENS CRESCENT, SINGAPORE - 098920 TEL: 6773 2286 FAX: 6775 3002			
SCALE	N/A	THICKNESS	N/A		
UNIT	mm	PROJECTION			
REVISION	4	PAGE	1 of 2		

DRAWING NO.	IR15052 STD 12kVA 120VAC IN-OUT	PART NO.	A141085.000
-------------	---------------------------------	----------	-------------



- Note:
1. Cabinet Front Access
 2. 120° Door Opening (Approx)
 3. Ventilation = Front
 4. Type/Protection = Indoor/IP31
 5. Cable Entry = TOP
 6. Name Plate = Engraving
 7. Mounting Hole Dimm. = Ø12mm
 8. Finishing =RAL 7035
 9. Internal GA is subject to change

REV	DESCRIPTION	DATE	DRAWN	CHECKED	APPROVED
1	FOR CUSTOMER APPROVAL	11-09-2015	YP	-	-
2	FOR CUSTOMER APPROVAL	15-09-2015	YP	-	-
3	FOR CUSTOMER APPROVAL	12-10-2015	YP	KU	KU
4	FOR CUSTOMER APPROVAL	09-11-2015	YP	KU	KU
5	-	-	-	-	-

REVISION HISTORY

CLIENT	ARTC	DESIGNED	YP	DRAWN	YP
		APPROVED	KU	DATE	09/11/2015
DESCRIPTION		General Arrangement of AC UPS - 12KVA I/P 120VAC 50HZ - O/P 120VAC 50HZ			
DRAWING NO.	IR15052 GA 12KVA 120VAC IN-OUT	PART NO.	A141085.000		
<p>Copyright ETEK All Rights Reserved ETEK POWER PTE LTD NO.3 TERBANI GARDENS CRESCENT SINGAPORE - 089920 TEL: 6773 2226 FAX: 6775 3002</p>		MATERIAL: N/A FINISHING: RAL7035 SCALE: NTS FORMAT: A3 UNIT: mm THICKNESS: 1.5 PROJECTION:			
		REVISION	4	PAGE	2 of 2